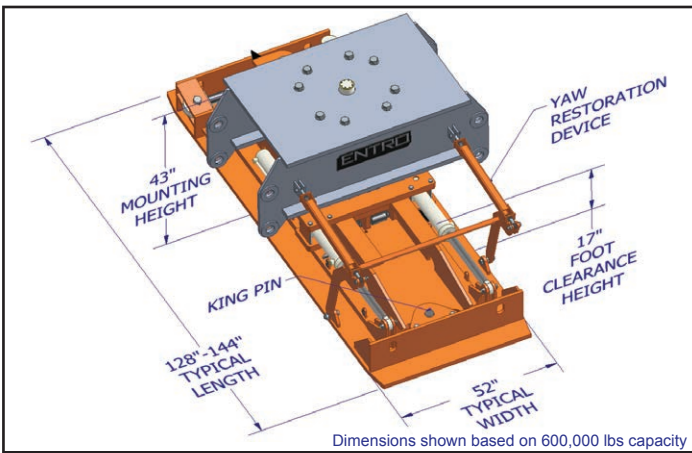
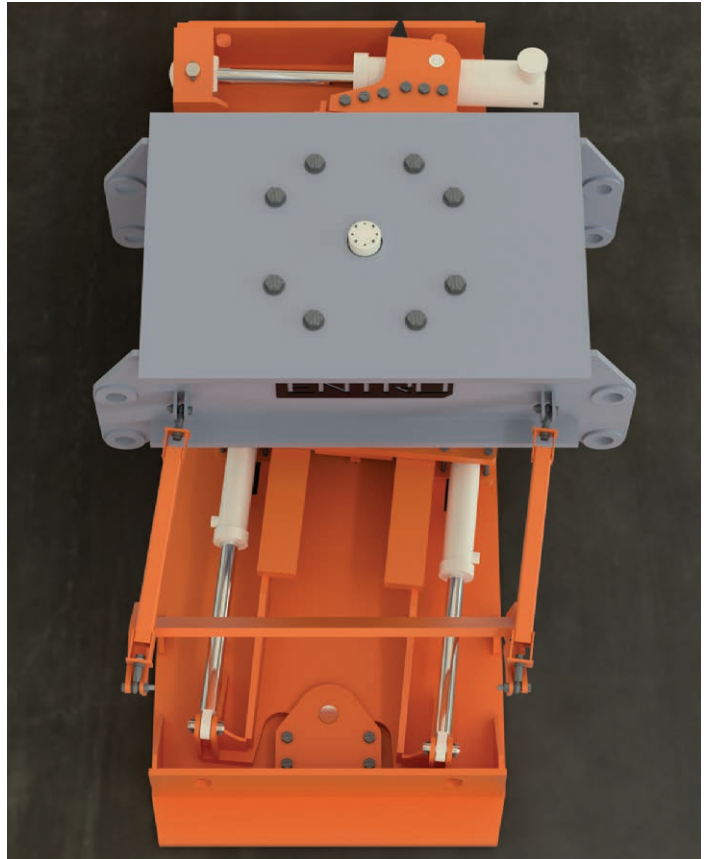


# X-SWING KING-PIN WALKING FOOT



## OVERVIEW

Boasting a doubled walking speed from its extra stroke, while maintaining the wide array of rig mounting options of its proven counterpart, the X-Swing is our most capable walking foot yet.

The X-Swing moves **in any direction, at any time**, and can **change direction under load**. Precision control is easier than ever before, further reducing total move time.

## TECHNICAL SPECIFICATIONS

JACK CAPACITY	900,000 lbs / 600,000 lbs / 340,000 lbs standard capacities
TOTAL CAPACITY	No limit
DISTANCE PER STEP	48 inches
CYCLE TIME	50 seconds
JACKS	12" lift standard, other sizes available
FOOT SIZE	Engineered to fit
STEERING	None required, travel on demand
HYDRAULICS	Compatible with rig HPU / Dedicated HPU option available

- Extended travel stroke increases speed
- Expanded flexibility for precision control
- Extensive array of customizable rig mounting options: Pin-On, Pony-Sub, Low Profile, Super Stomper, etc.
- Extra flexible mounting: low total height and foot clearance
- Yaw restoration device maintains foot alignment
- Fully compatible and interchangeable with the King-Pin family
- Autowalk and autolift with manual backup standard

### PATENTS:

This product may be protected by one or more patents and applications.

For more information, see [entro-eng.com/about/patents/](http://entro-eng.com/about/patents/)

3601 NE John Olsen Avenue, Hillsboro, OR 97124

OFFICE: (503) 356-8888 EMAIL: [info@entro-eng.com](mailto:info@entro-eng.com)

[WWW.ENTRO-ENG.COM](http://WWW.ENTRO-ENG.COM)

